

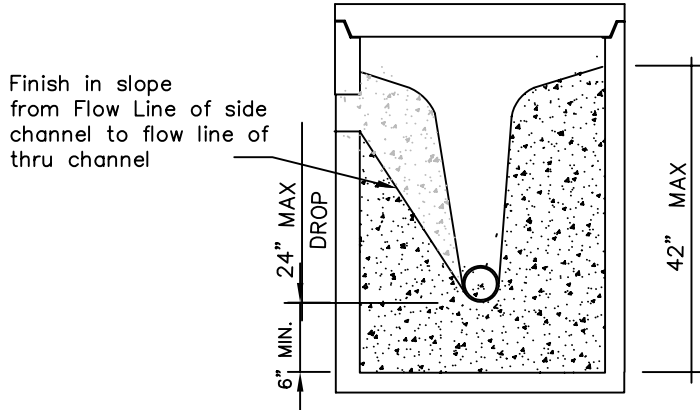
PRECAST OR CAST-IN-PLACE DROP MANHOLE WITH 2'-0" OR LESS OF DROP

NOTES:

1. CONCRETE SHALL BE CLASS 3000
2. MANHOLE SHALL MEET REQUIREMENTS OF ASTM C478
3. MANHOLE BASE INCLUDING DROP MAY BE CAST IN PLACE. ATTACHMENT TO EXISTING BASE SHALL USE MIN. (6) 18 INCH #5 BARS DRILLED & EPOXY BONDED IN PLACE, 6 INCHES INTO EXISTING BASE.

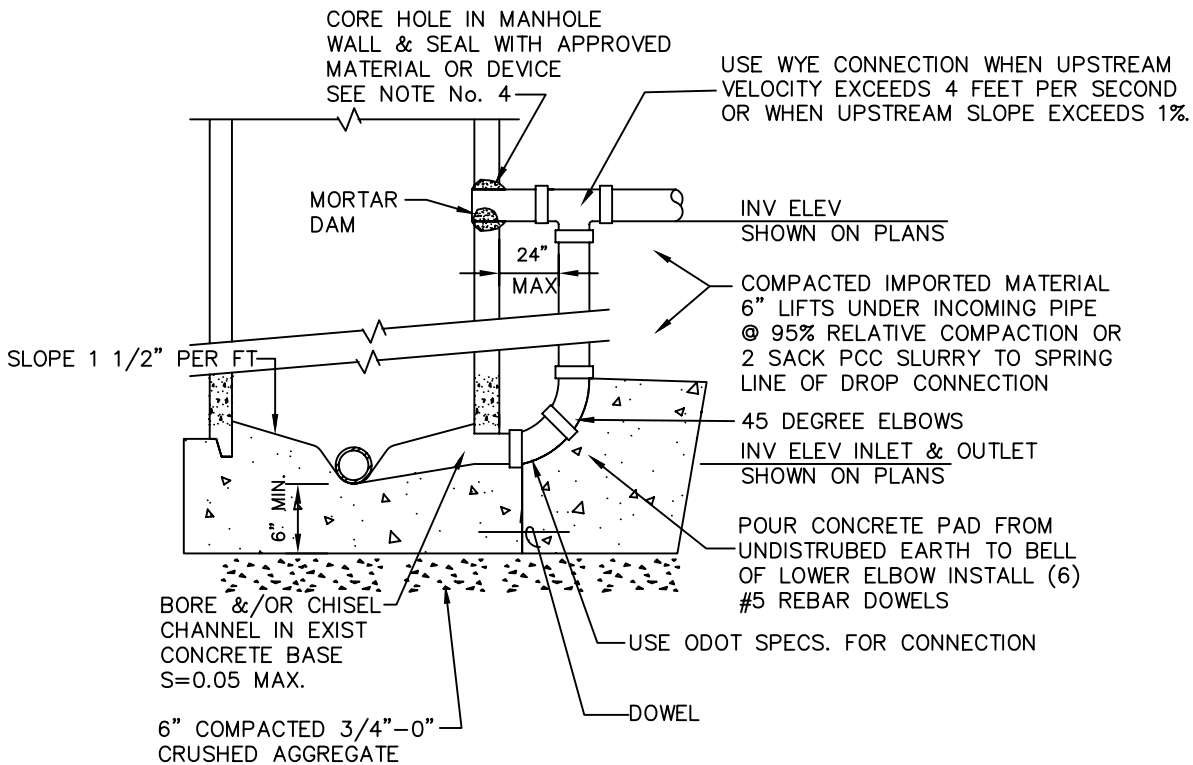
APPROVED WALL SEAL DEVICES:

4. SANDED COLLAR AND NON-SHRINK GROUT OR EQUAL



SLOPE 1 1/2" PER FT

Finish in slope from Flow Line of side channel to flow line of thru channel



DROP MANHOLE 2'-0" AND OVER OF FALL



**ROGUE VALLEY
SEWER SERVICES**

138 WEST VILAS ROAD

CENTRAL POINT, OR.

**DROP MANHOLE 2'-0" OR LESS FALL
DROP MANHOLE 2'-0" AND OVER OF FALL**

Rev.9/07

STANDARD
DRAWING
NO.
6-10
DATE: 9/07